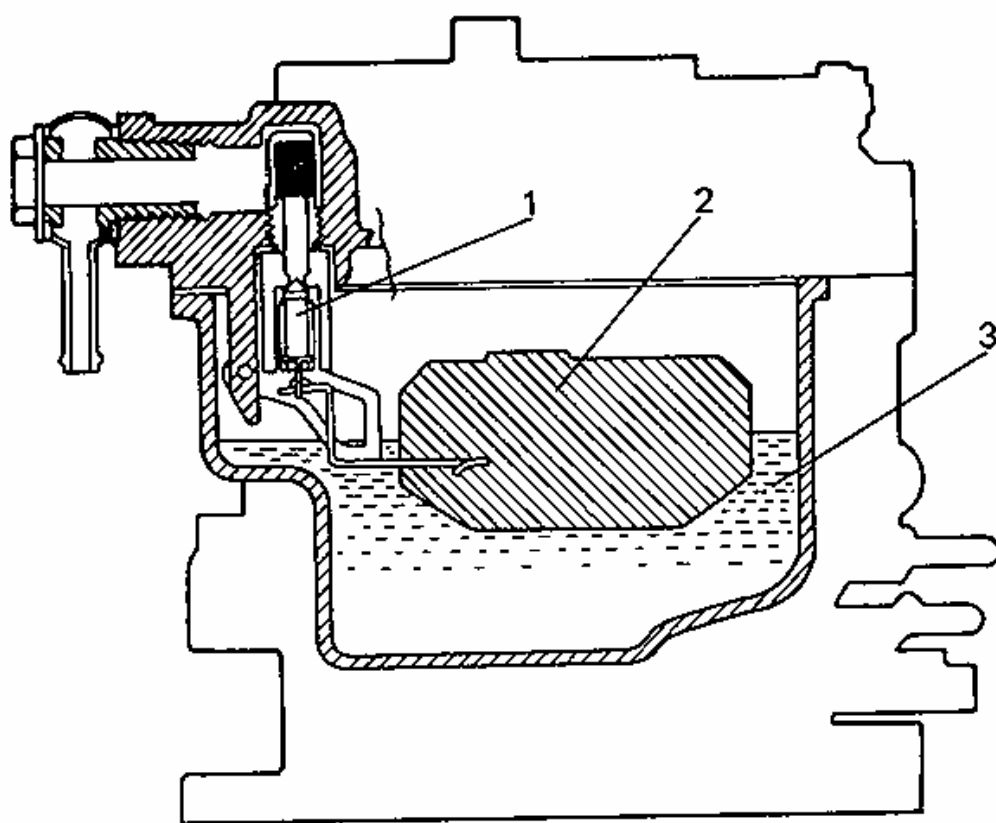


Float System

The float is designed to maintain fuel in the chamber at a constant level at all times.

Fuel pumped out under pressure from the fuel pump passes through the float needle valve and on into the float chamber. With the float movement caused by its buoyancy, the needle valve opens and closes to control fuel at a constant level.



1. Needle valve
2. Float
3. Float chamber

Fig. 4-1-3